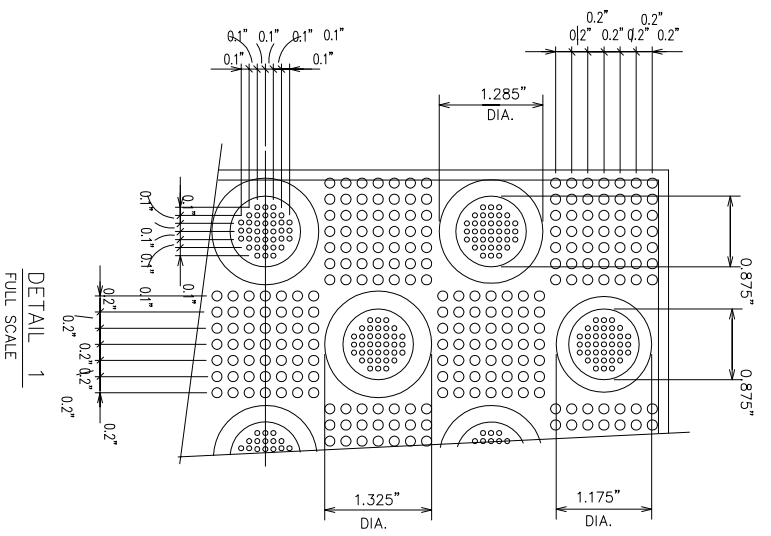
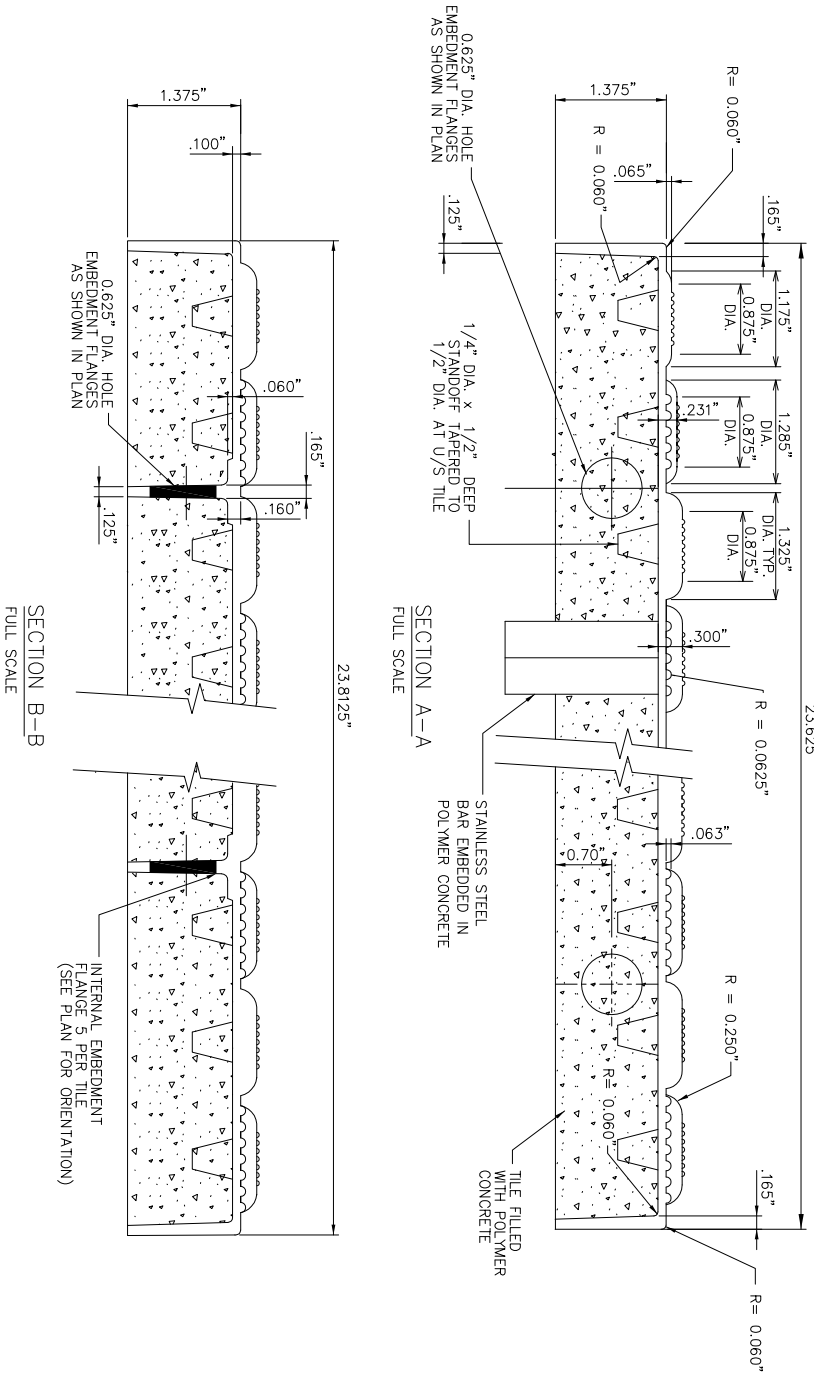
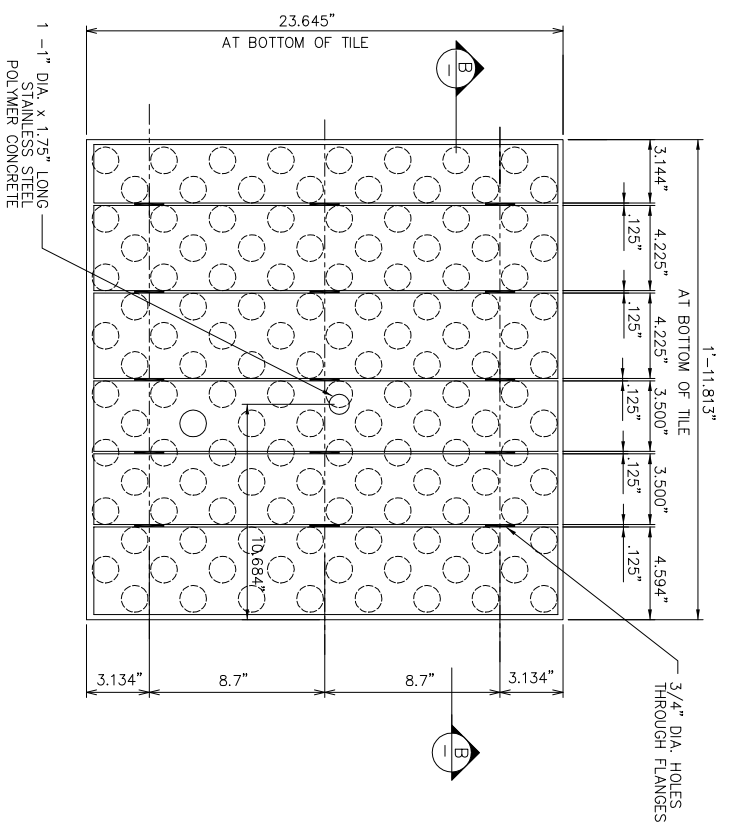
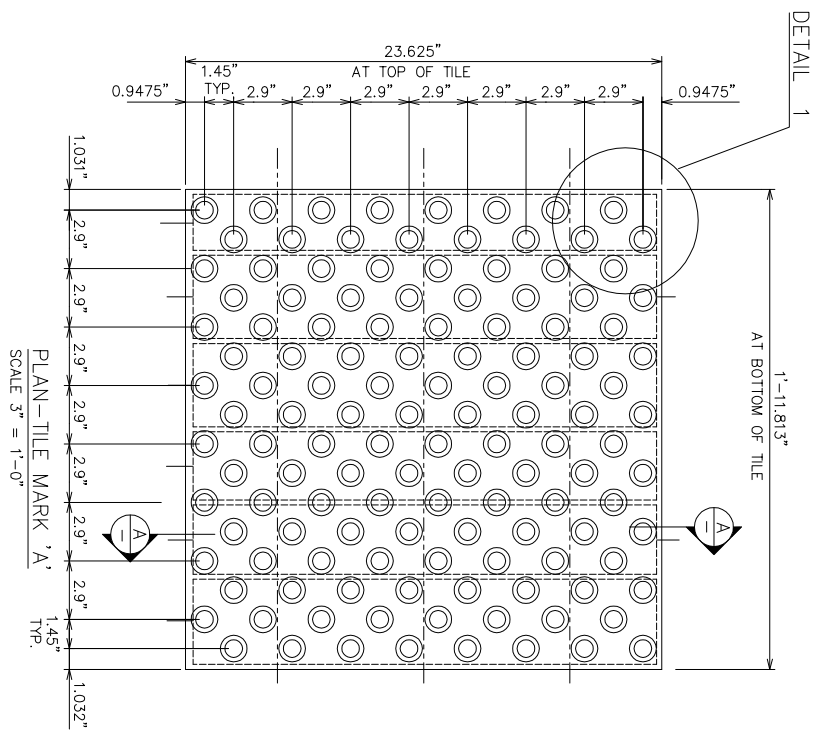
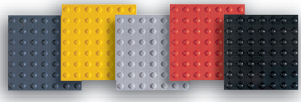


Armor-Tile™

Transit Systems



© 2007 ENGINEERED PLASTICS
CONFIDENTIAL AND PROPRIETARY DOCUMENT
ANY ONE OR MORE OF THE FOLLOWING
PATENTS MAY APPLY
U.S. PATENT NO. 5,303,669 5,775,835
6,449,790 AND 6,895,622 B2
C.D.N. PATENT NO. 2,032,532 2,070,984
US PATENTS PENDING.
KENNETH E. SZEKELY

MATERIAL LIST

ITEM	DESCRIPTION	PART NO.	QTY
1	ARMOR TILE (24"x24")	AT-P144-24 275	

DRAWING	DESCRIPTION
AT-P144-gen1-24E	INSTALLATION DRAWING

No.	DATE	REVISION	APPR.
1	03/02/25	NOTE ADDED	K.S.
0	09/25/02	ISSUED	K.S.

SCALE	AS NOTED FULL SIZE ONLY
DESIGNED	BY K.E.S. DATE 08/92
DRAWN	M.D. DATE 09/25/02
CHECKED	
PROJECT MANAGER	
TRADE	PART NO. SEE MATERIAL LIST
DETECTABLE WARNING SURFACE	
MATERIAL	VITRIFIED POLYMER COMPOSITE

Armor-Tile™
Transit Systems
TACTILE TILE
DETECTABLE WARNING
SURFACE SYSTEM
MATERIAL DRAWING

PROJECT
PLATFORM EDGE TACTILE TILE
24" x 24" PAVER TILE
PLAN & DETAILS

DRAWING NO.	REV. NO.
AT-301-SB	1

Toll Free: 1-800-682-2525
Email: info@armortiletransit.com

www.armortiletransit.com